

TYPICAL ELEVATION ON GUARDRAILS

SCALE 1:20

SECTION M-M

SCALE 1:20

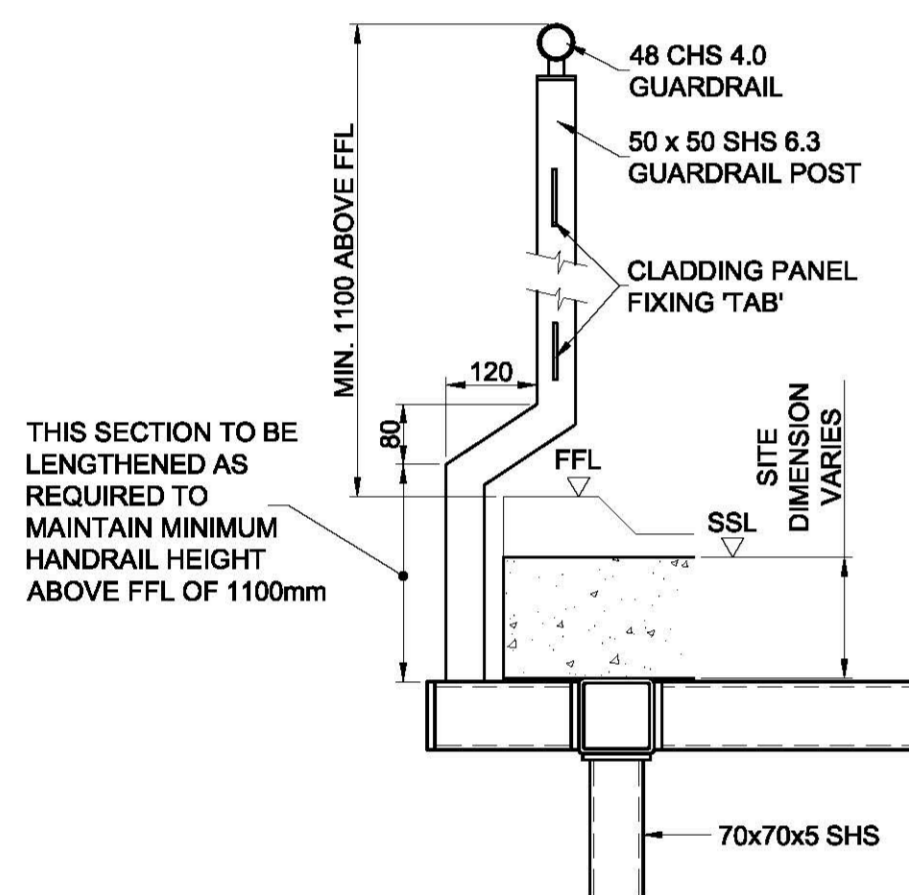
DO NOT SCALE FROM THIS DRAWING
ALL DIMENSIONS TO BE CHECKED ON SITE

- Notes:
- REFER TO DRAWING S2000 FOR GENERAL NOTES.
 - THE CONTRACTOR SHALL CHECK ALL DIMENSIONS ON SITE PRIOR TO FABRICATION.
 - REFER TO DRAWINGS S2001-S2012 FOR TYPICAL SECTIONS AND DETAILS. (ADDITIONAL UNIQUE DETAILS MAY BE PROVIDED ON A SITE BY SITE BASIS, AS REQUIRED).
 - FOR BALCONY GENERAL ARRANGEMENT SEE DRAWING S2001.

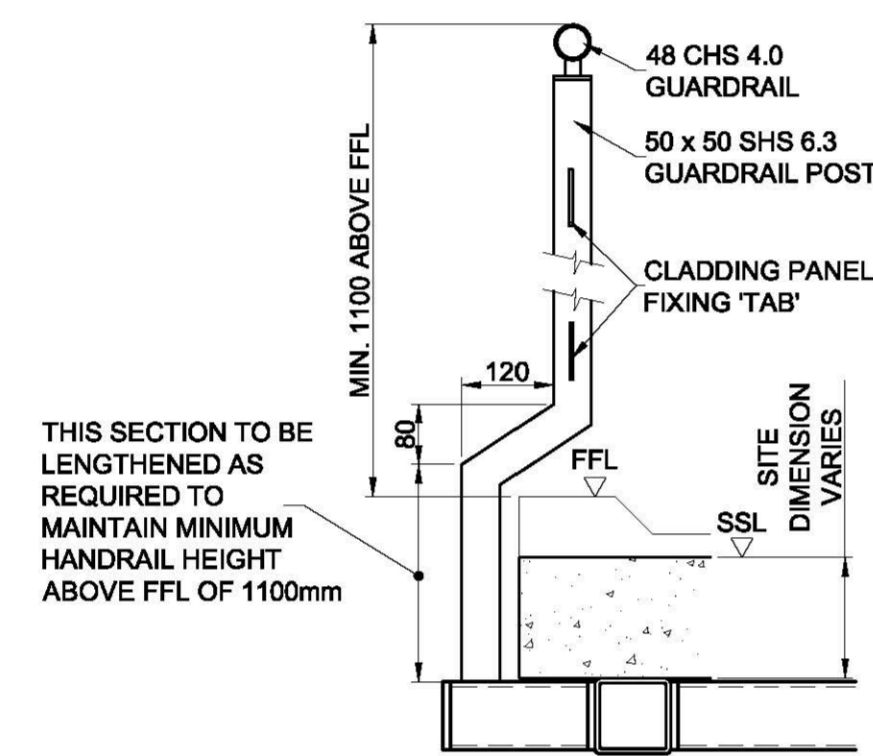
ALL DETAILS AND SECTIONS SHOWN FOR BALCONY ENDS AND EXTERNAL STAIRS ARE SIMILAR BUT HANDED FOR THE OPPOSITE ENDS

THIS DRAWING SHOWS GUARDRAILS THAT HAVE BEEN DESIGNED TO BS 6399 AND BS 6180. A PROPRIETARY GUARDRAIL SYSTEM CAN BE USED INSTEAD, BUT MUST STILL CONFORM TO BS 6399 AND BS 6180

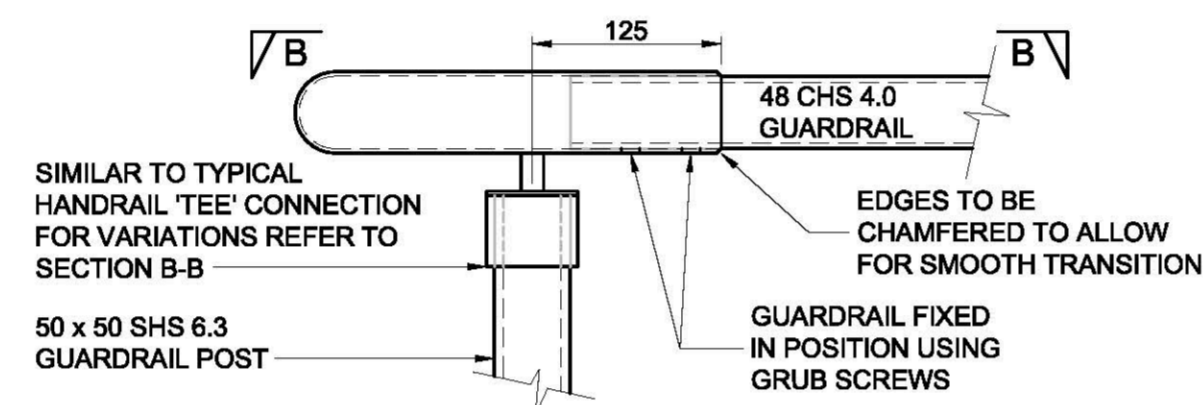
ALL STEEL TO BE GRADE S355, GALVANISED 140um AND POWDER COATED



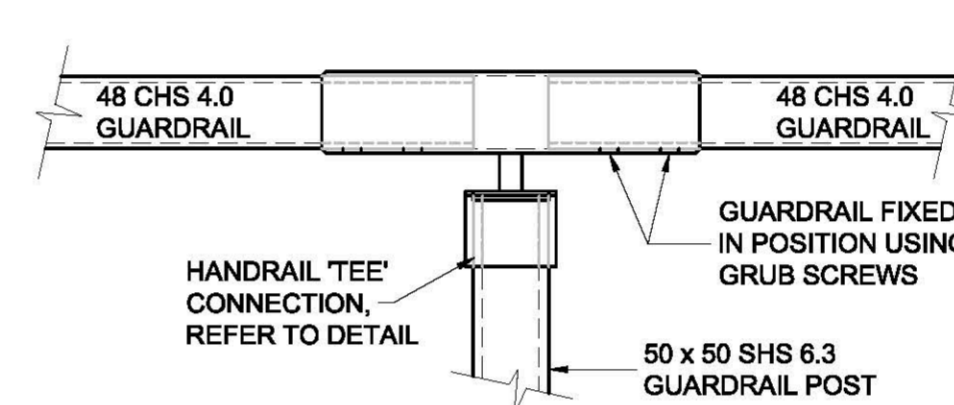
**DETAIL 1
TYPICAL GUARDRAIL
POST DETAIL**
SCALE 1:10



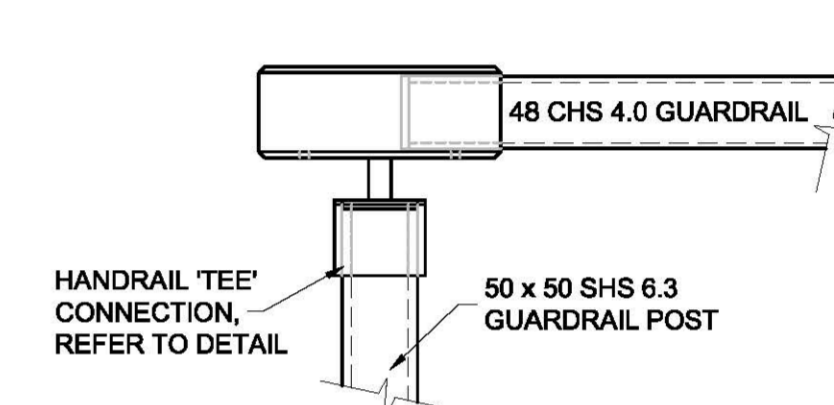
**DETAIL 2
TYPICAL GUARDRAIL
POST DETAIL**
SCALE 1:10



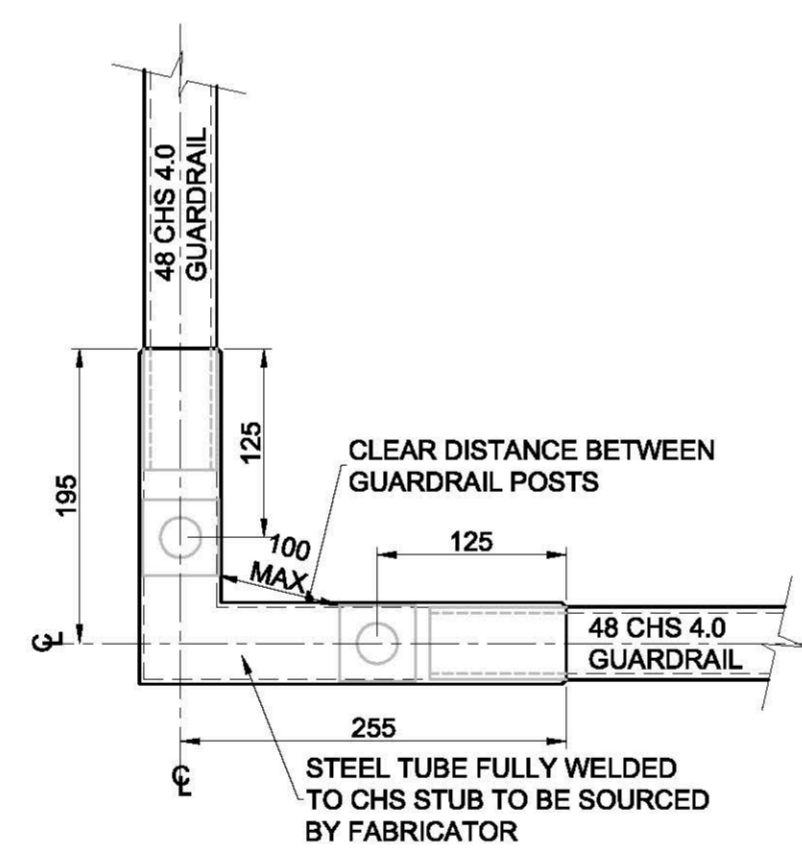
DETAIL 3 - GUARDRAIL SPIGOT (CORNER)
SCALE 1:5



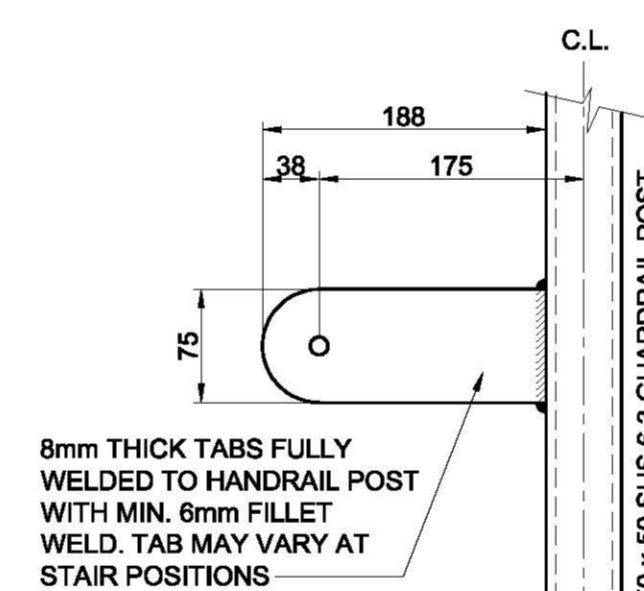
DETAIL 4 - GUARDRAIL SPIGOT (TYPICAL)
SCALE 1:5



DETAIL 5 - GUARDRAIL SPIGOT (BALCONY END)
SCALE 1:5

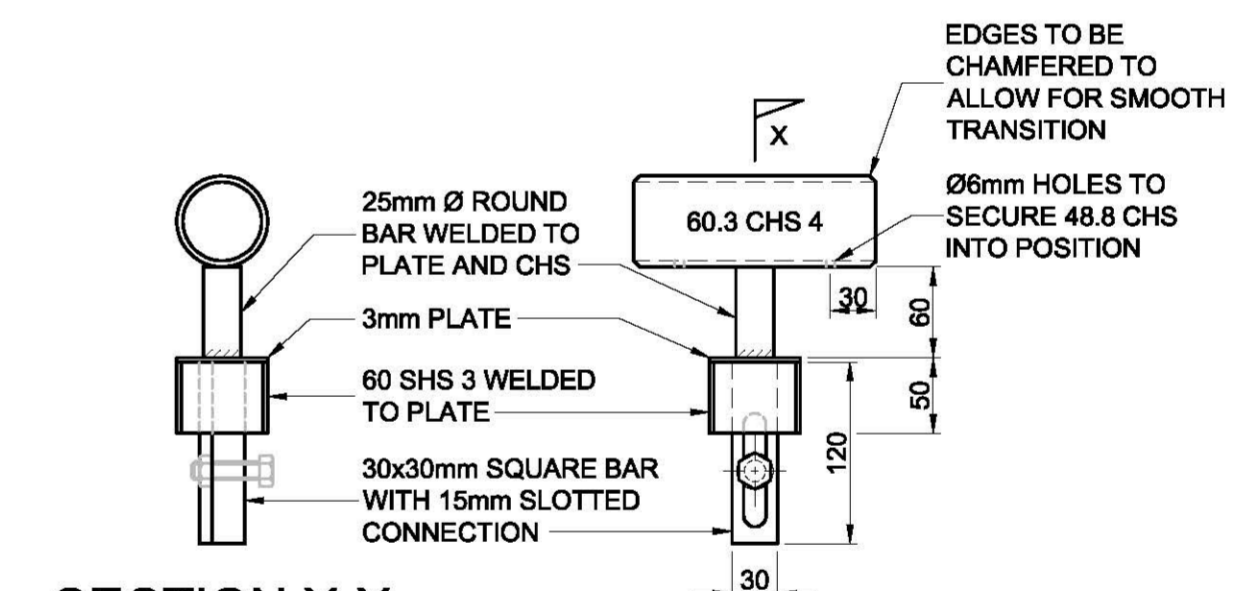


SECTION B-B
SCALE 1:5



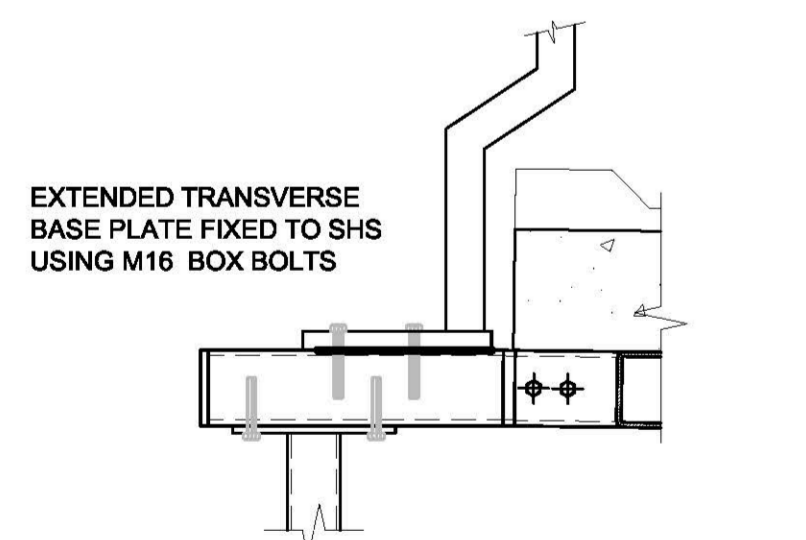
**DETAIL 6 - HANDRAIL
INFILL PANEL TABS**
SCALE 1:5

ALL TABS TO BE SUITABLE FOR LAMINATE PANELS. FINAL TAB DETAILS MAY NEED MINOR MODIFICATIONS TO SUIT INFILL PANEL SUPPLIERS REQUIREMENTS

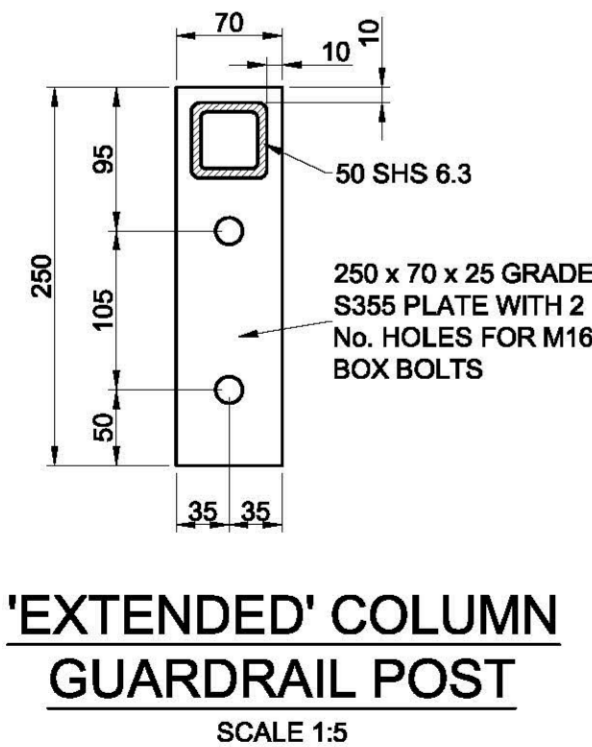


SECTION X-X
SCALE 1:5

**TYPICAL
HANDRAIL 'TEE'
CONNECTION**
SCALE 1:5



**BEAM/GUARDRAIL POST
CONNECTION FOR EXTENDED
COLUMN POSITION**
(SEE SECTION A-A ON DRAWING S2002)
SCALE 1:10



**'EXTENDED' COLUMN
GUARDRAIL POST**
SCALE 1:5

T1	03.03.17	INITIAL TENDER ISSUE	AF	VJJ
Rev	Date	Amendments	By	Chk

Drawing Status: **TENDER**



Client:
**CANTILEVER BALCONY
SUPPORT - LOT 2
'HOUSING WALK-UP' BLOCKS**

Drawing Title:
**TYPICAL GUARDRAIL DETAILS
SHEET 1 OF 2
(FOR FULL STRUCTURAL SUPPORT)**

Project No.:	Drawing No.:	Rev.
RP200058	S2005	T1
Date:	MARCH 17	Scale: AS SHOWN @ A1
By:	VJJ	Checked: VJJ
Approved:	DH	
UPR Number:		